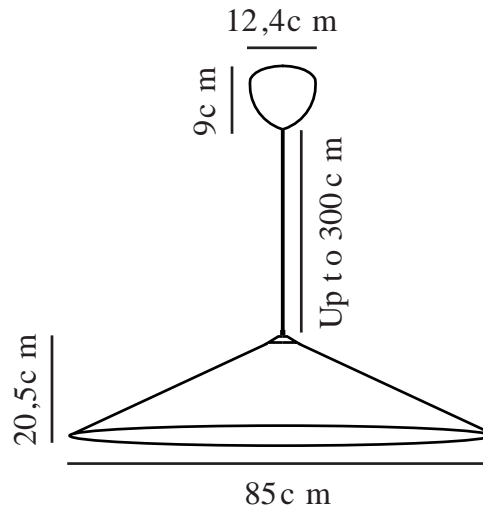


HILL | PENDANT | WHITE

2220103060



Voltage (V): 220-240 Volt
IP degree: IP20
Maximum bulb wattage (W):
3x25W
Class (Class 1, Class 2, Class 3):
Class 2 (Double isolated)
Socket type: E27

Primary material: Tyvek
Secondary material: Metal
Colour of the cable: White
Length of the cable (cm): 300
Surface material of the cable:
Textile
Is the cable replaceable: False
Colour: White

Height (cm): 22
Width (cm): 85
Shade Diameter (cm): 85
Shade Height (cm): 20.5
Lenght (cm): 85

EAN: 5704924009945
Item Number: 2220103060
Pcs Per Master Carton: 3

Sales Box Height (cm): 86.5
Sales Box Width(cm): 86.5
Sales Box Depth (cm): 15
Sales Box Volume m³ : 0.1122
Product net weight (kg): 1.17

- Modern Japandi style • Modern, yet timeless design
- Soft and diffused light • Airy design language

Hill is a large, geometric lampshade that fills the room without blocking the view. Created by Danish designer Asger Risborg, Hill is light as a cloud, but sharp as a rock. A lamp that is both complex and simple while creating a very soft light that spreads into the room in a calm, uniform way.