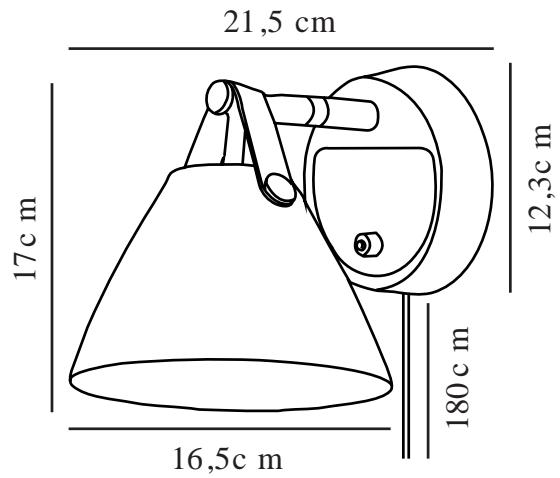


# STRAP 15 | WALL LIGHT | BLACK

84291003



Voltage (V): 230 Volt  
IP degree: IP20  
Maximum bulb wattage (W): 8W  
Class (Class 1, Class 2, Class 3):  
Class 2 (Double isolated)  
Socket type: GU10  
Dimmerable: Yes with compatible  
bulb  
Switch placement: On the base

Colour: Black  
Height (cm): 17  
Tube Diameter (cm): 1.6  
Shade Diameter (cm): 16.5  
Shade Height (cm): 17  
Projection (cm): 21.5  
Tilt Angle (°): 90  
Turning Angle (°): 350

Pcs Per Master Carton: 3  
Sales Box Height (cm): 20  
Sales Box Width (cm): 27  
Sales Box Depth (cm): 20  
Sales Box Volume m<sup>3</sup> : 0.0108  
Product net weight (kg): 0.76

Primary material: Metal  
Secondary material: Leather  
Colour of the cable: Black  
Length of the cable (cm): 180  
Surface material of the cable:  
Plastic  
Is the cable replaceable: True

EAN: 5701581364783  
TUN: 1896590  
Item Number: 84291003

- Industrial look • Nordic style
- Incl. black and neutral coloured leather strap • Material mix - metal and leather

Metal and leather goes well with the light Nordic style. The combination of these materials allows the light to visually interact with a modern interior, where combining materials is one of the biggest trends. With Strap it seems obvious – just as obvious as how a Nordic light design is named after a leather strap. The narrow and elegant leather gives Strap a warm and raw look, balancing a classic and the industrial expression. It comes with two leather straps in brown and black respectively, so it's up to you to give the Strap its final look. Designed by Bjørn + Balle