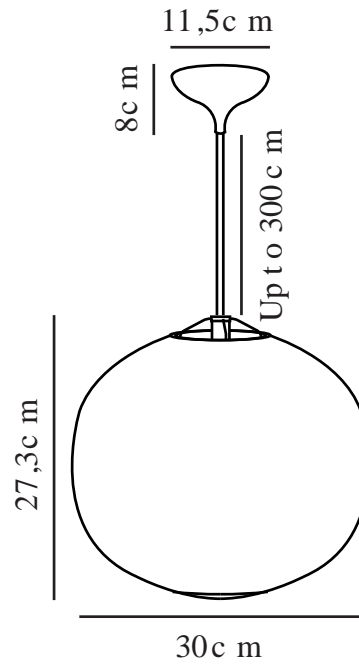


NAVONE | PENDANT | WHITE

2220443001



Voltage (V): 220-240 Volt
IP degree: IP20
Maximum bulb wattage (W): 40W
Class (Class 1, Class 2, Class 3):
Class 2 (Double isolated)
Socket type: E27

Primary material: Glass
Secondary material: Metal
Colour of the cable: White
Length of the cable (cm): 300
Surface material of the cable:
Textile
Is the cable replaceable: False
Colour: White

Height (cm): 27.3
Width (cm): 30
Shade Diameter (cm): 30
Length (cm): 30

EAN: 5704924010132
Item Number: 2220443001
Pcs Per Master Carton: 2

Sales Box Height (cm): 47
Sales Box Width(cm): 37.5
Sales Box Depth (cm): 37.5
Sales Box Volume m³ : 0.0661
Product net weight (kg): 1.44

- Timeless and classic design with modern details • Organic shape
- Beautiful material mix of opal glass and brass

Navone is designed by Danish design studio Mavro/Lefèvre. The overall shape of the shade is soft and round, yet the very subtle curved bottom adds a new interesting dimension that transforms the lamp into more than just a sphere. The brass details add a contemporary touch, underlining the suspended lightness of the lamp.