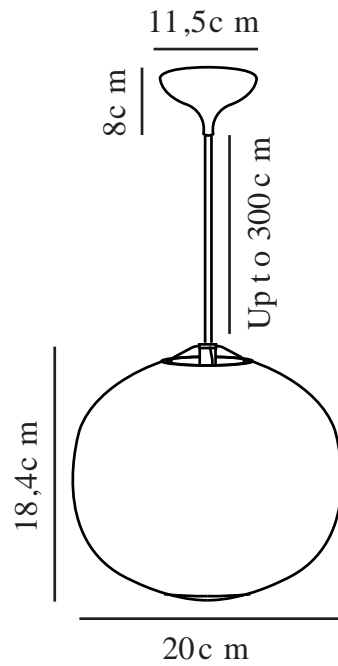


NAVONE | PENDANT | WHITE

2220433001



Voltage (V): 220-240 Volt
IP degree: IP20
Maximum bulb wattage (W): 40W
Class (Class 1, Class 2, Class 3):
Class 2 (Double isolated)
Socket type: E27

Height (cm): 17
Width (cm): 20
Shade Diameter (cm): 20
Shade Height (cm): 18.4
Length (cm): 20

Sales Box Height (cm): 38.5
Sales Box Width (cm): 27.5
Sales Box Depth (cm): 27.5
Sales Box Volume m³: 0.0291
Product net weight (kg): 0.76

Primary material: Glass
Secondary material: Metal
Colour of the cable: White
Length of the cable (cm): 300
Surface material of the cable:
Textile
Is the cable replaceable: False
Colour: White

EAN: 5704924010071
Item Number: 2220433001
Pcs Per Master Carton: 3

- Timeless and classic design with modern details • Organic shape
- Beautiful material mix of opal glass and brass

Navone is designed by Danish design studio Studio Mavro/Lefèvre by Sofie Lefèvre. The overall shape of the shade is soft and round, yet the very subtle curved bottom adds a new interesting dimension that transforms the lamp into more than just a sphere. The brass details add a contemporary touch, underlining the suspended lightness of the lamp.