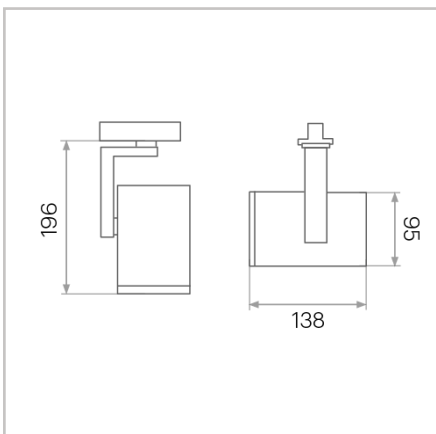


Vortex 2.0

On Track

7112.VO2

Caribou



Vortex 2.0

25.5W
3,400lm
3000K // 4000K
IP20
Track Mounted
Non Dimmable
Beam Angle 10° // 20° // 40° // 60°
White
3 Year Warranty

Caribou

Unit 11/18 Ellerslie Road,
Meadowbrook, QLD 4131

(07) 3999 7700
sales@caribou.com.au