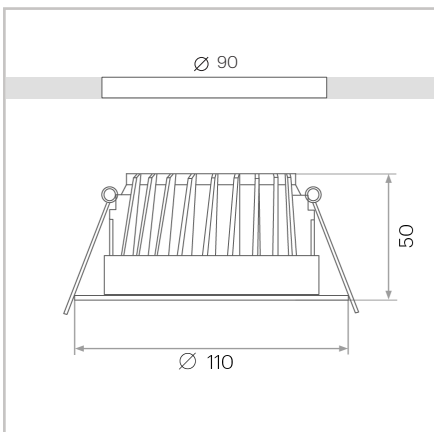


Orca 1.0

Fixed

1211.OR13

Caribou



Orca 1.0

10W // 12W
800lm // 960lm
3000K // 4000K
IP20 // IP54
Ceiling Recessed
Phase Cut Dimmable
Beam Angle 90°
Flat White // Ace Black
3 Year Warranty

Caribou

Unit 11/18 Ellerslie Road,
Meadowbrook, QLD 4131

(07) 3999 7700
sales@caribou.com.au