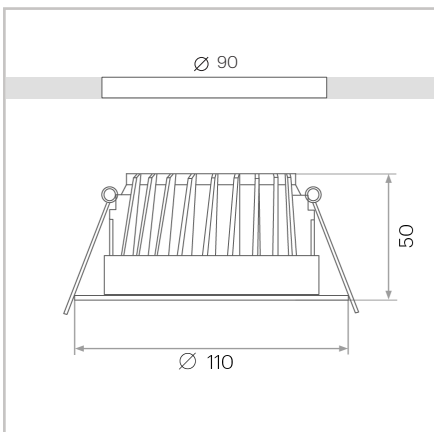


# Orca 1.0

Fixed

1211.OR13

# Caribou



## Orca 1.0

10W
800lm
3000K // 4000K
IP54
Ceiling Recessed
Phase Cut Dimmable
Beam Angle 120°
Flat White // Ace Black
3 Year Warranty

# Caribou

Unit 11/18 Ellerslie Road,  
Meadowbrook, QLD 4131

(07) 3999 7700  
sales@caribou.com.au