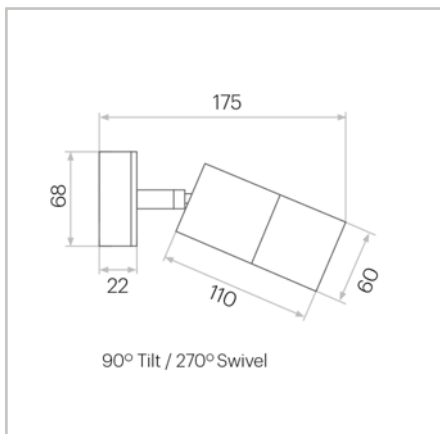


Monaco 3.0

Wall Mounted

2112.MO3

Caribou



Monaco 3.0

6W
480lm
3000K // 4000K
IP65
Wall Mounted
Phase Dimmable
Adjustable
Sand White // Black Ace
3 Year Warranty

Caribou

Unit 11/18 Ellerslie Road,
Meadowbrook, QLD 4131

(07) 3999 7700
sales@caribou.com.au