



**WEVER & DUCRÉ**  
LIGHTING

# SQUBE

## on base #2 PAR16

144520B0

Project	.....
Type	.....
Notes	.....
Quantity	.....
Date	.....

### GENERAL

Ceiling	.....
Surface	.....
Jet Black	.....
IP20	.....
Interior	.....
915 <sup>a</sup> to 925 <sup>b</sup> lm	.....
RAL 9005 <sup>c</sup>	.....

### LED

Lamp 2 x PAR16	.....
PAR16	.....
Socket GU10	.....
max. 12 W	.....
CRI 80	.....

### OPTICAL

Beam angle 47°	.....
----------------	-------

### PHYSICAL

Length 205 mm	.....
Width 55 mm	.....
Height 125 mm	.....
0.58 kg	.....
Tilt min 90°	.....
Tilt max 90°	.....
Rotation 355°	.....

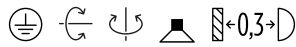
### ELECTRICAL

100 - 240 V	.....
Total connected power 13.2 <sup>b</sup> to 13.3 <sup>a</sup> W	.....
PC1	.....
Safety distance 0.3 m	.....

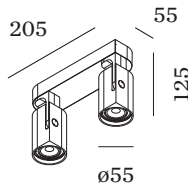
<sup>a</sup> LED 3000K CRI 80 white

<sup>b</sup> LED 2700K CRI 80 white

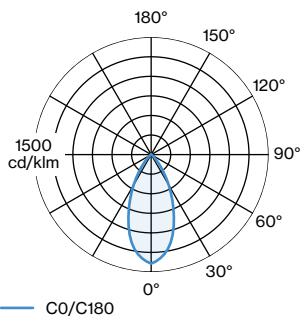
<sup>c</sup> RAL Palette colors may deviate slightly due to production conditions.



Ceiling surface spotlight made from die-cast aluminium; surface Jet Black; powder coated; matt texture; RAL 9005; lamp socket GU10; lamp type PAR16; max. 12W; 100 - 240 V; 355° rotatable and 90° tiltable; degree of protection IP20; PC1; lamp not included;



### LIGHT DISTRIBUTION





WEVER & DUCRÉ  
LIGHTING

# SQUBE

## on base #2 PAR16

144520B0

### CONE DIAGRAM

LED 2700K CRI ≥ 80 White

h (m)	EO° (lx)	ø (m)
1	1286	0.88
2	321	1.75
3	143	2.63
4	80	3.50
5	51	4.38

### LED LAMPS

#### PAR16 LED Lamp

TYPE	COLOUR	Ø · H (MM)	ORDERCODE
2700K   >90 CRI   GU10	Black	ø50-58	9 0 1 2 2 8 B 3
3000K   >90 CRI   GU10	Black	ø50-58	9 0 1 2 2 8 B 5
2700K   >80 CRI   GU10	White	ø50-58	9 0 1 2 2 8 W 2
2700K   >90 CRI   GU10	White	ø50-58	9 0 1 2 2 8 W 3
3000K   >80 CRI   GU10	White	ø50-58	9 0 1 2 2 8 W 4
2700K   >80 CRI   GU10	Silver	ø51-55	9 0 5 2 2 7 S 2
3000K   >80 CRI   GU10	Silver	ø51-55	9 0 5 2 2 7 S 4